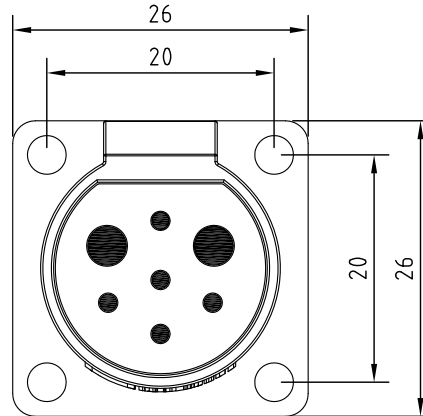
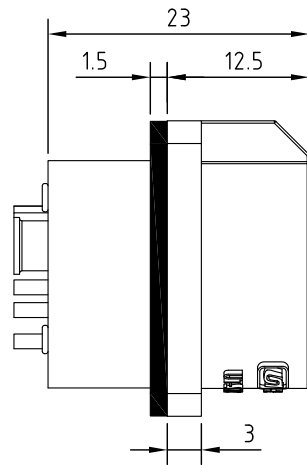
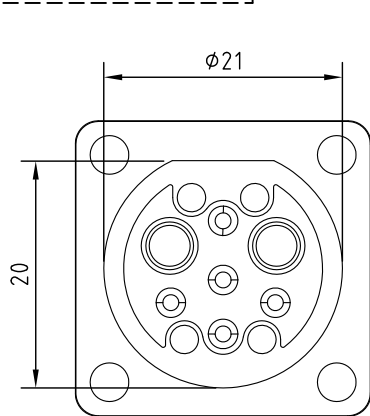


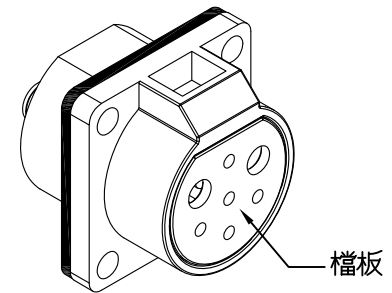
Recommended Panel cut-out



REV.	Description	Date
1	panel cut-out dimension revise	2020/9/16

Specification of connector

- Locking system : Quick Lock
- Shell protection : IP65
- Rated voltage : 250V
- Rated current : Large pin 35A
Small pin 10A
- Contact resistance : Large pin <5mΩ
Small pin <30mΩ
- Insertion force : <80N
- Withdrawal force : <80N



RoHS
TOLERANCE X±0.5 .X±0.3

3	Pad	Rubber
2	Pin	Brass/Gold plated
1	Body	PA
Item	Description	Material&Plating



Unicable Co., Ltd. 國陽電業有限公司

5F., No. 111-33, Sec. 4, San Ho Road., San Chung Dist., New Taipei City, Taiwan
http://www.unicable.com.tw Tel:+886-2-2286-2122 Fax:+886-2-2286-1010

DATE	2020/9/16	PART NO.	UT-SD357F-7P
DWN	GINA	REV.	1
CHK			
UNIT	MM		

ITEM

Type K: Male connector